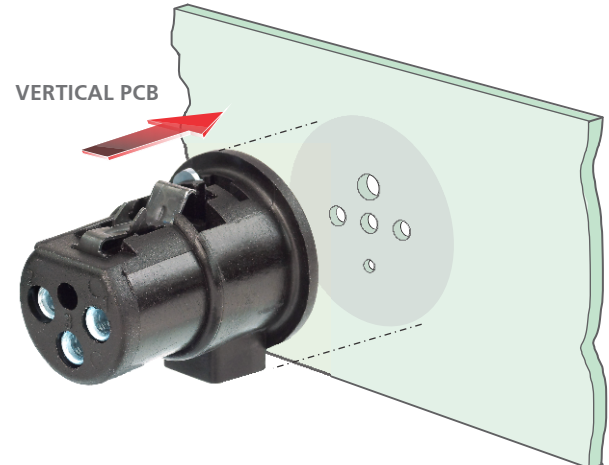
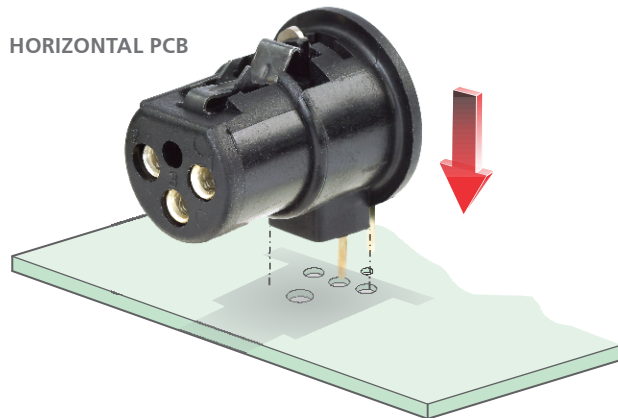




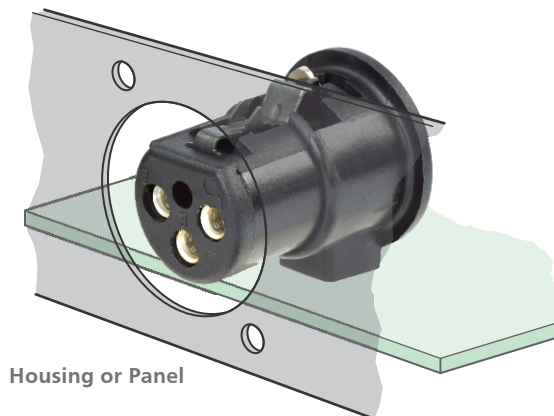
ASSEMBLY INSTRUCTION

D Series | XLR Chassis Connector

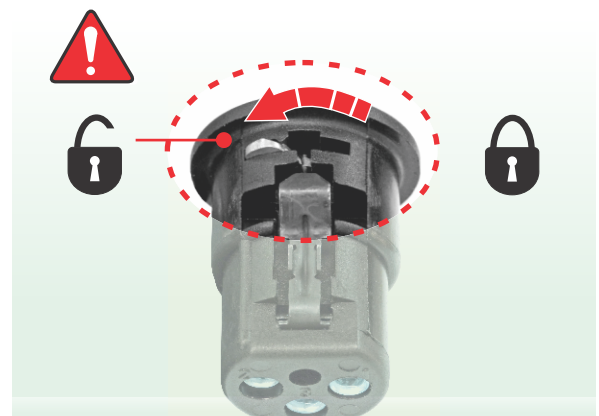
- A** Solder the INSERT to the horizontal or vertical PCB.



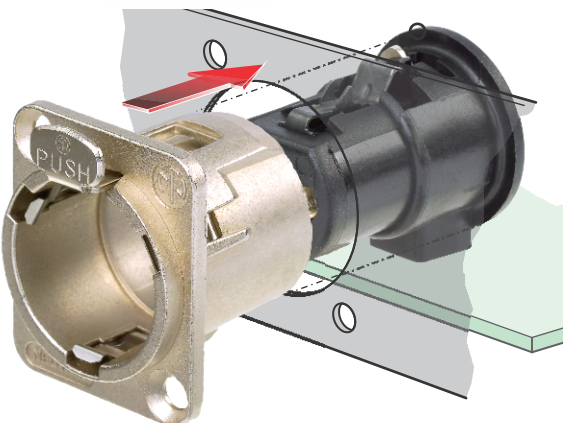
- B** Mount the PCB. Assemble into the housing.



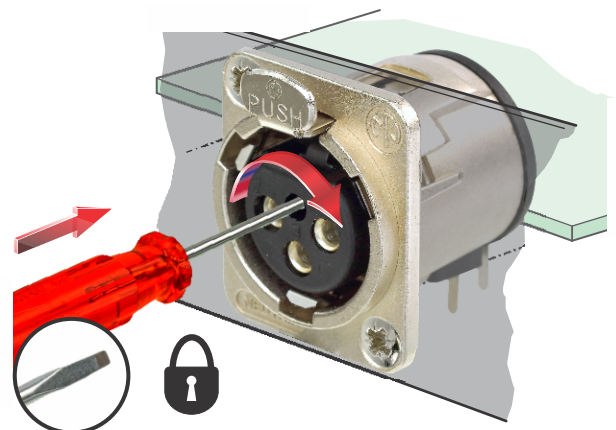
- C** Attention: Check the LOCK is open.



- D** Assemble the Neutrik D Serie metal housing.



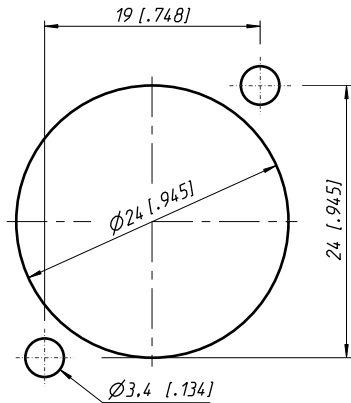
- E** LOCK the insert.



Join the insert and the housing and interlock by turning the latch 90° by using a flat head screw driver (size 00).

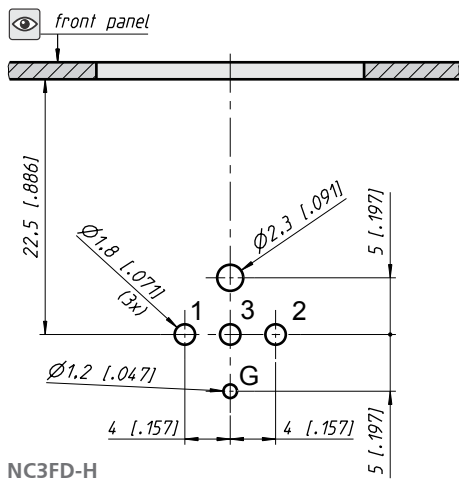


Panel cut out (rear side)



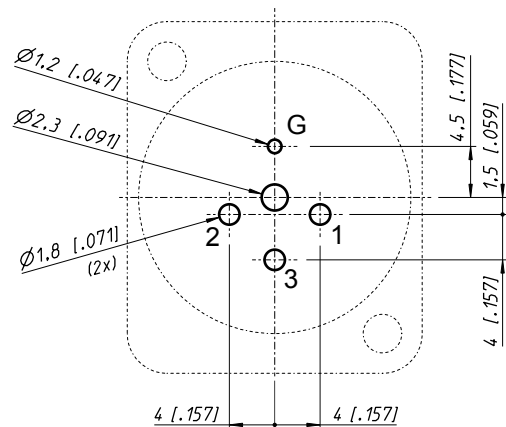
PCB layout (component side)

Horizontal

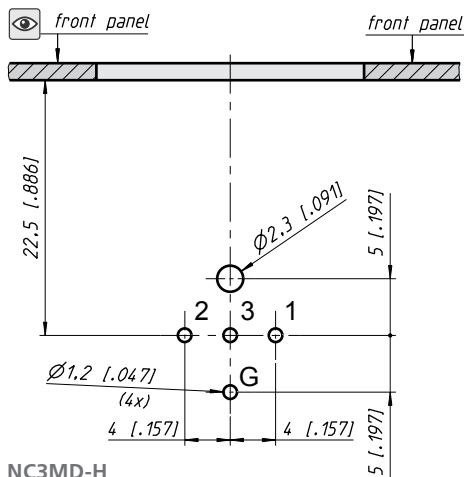


NC3FD-H

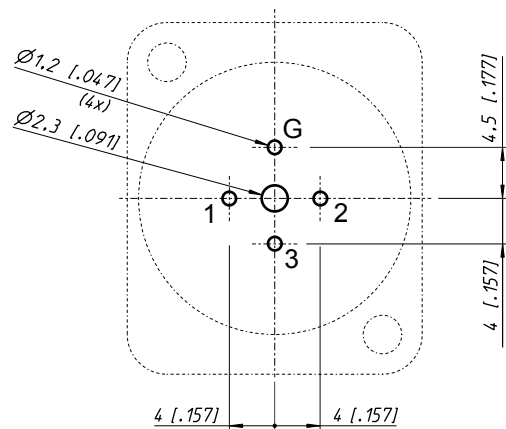
Vertical



NC3FD-V



NC3MD-H



NC3MD-V

NEUTRIK AG	LI	T: +423/237 24 24	F: +423/232 53 93	NEUTRIK France	FR	T: +33 1/4131 6750	F: +33 1/4131 0511
NEUTRIK USA Inc.	USA	T: +1 704 / 972 3050	F: +1 704/438 9202	NEUTRIK Tokyo Ltd.	JP	T: +81 3/3663 4733	F: +81 3/3663 4796
NEUTRIK (UK) Ltd.	UK	T: +44 1983 / 811 441	F: +44 1983/811 439	NEUTRIK Hong Kong Ltd.	HK	T: +852/2687 6055	F: +852/2687 6052
NEUTRIK Vertriebs GmbH	DE/NL/AT/DK	T: +49 8131 / 280 890	F: +49 8131/280 830	NEUTRIK India Pvt. Ltd.	IND	T: +91/982 05 43 424	F: +91/22 26163 540

Draft. Nr.: BDA 20 | Update: 29.09.2017 | Data subject to change without prior notice. ©2017 NEUTRIK®. ALL RIGHTS RESERVED. NEUTRIK® is a registered trademark.