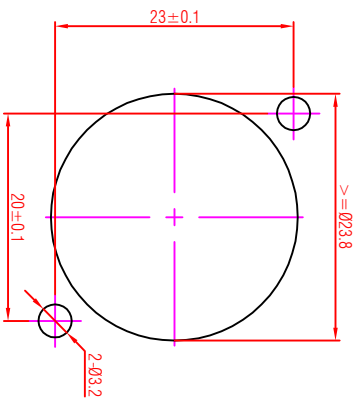
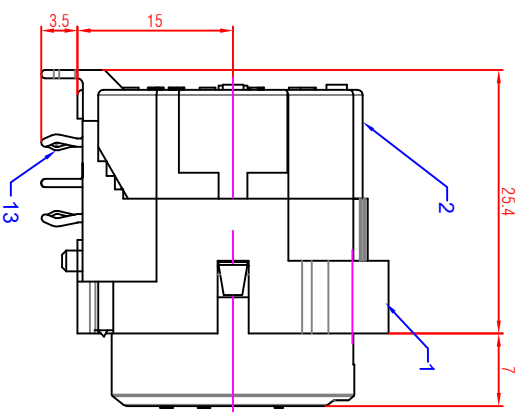
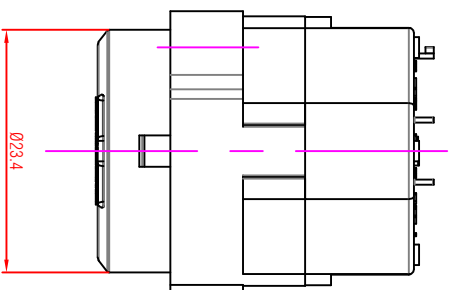
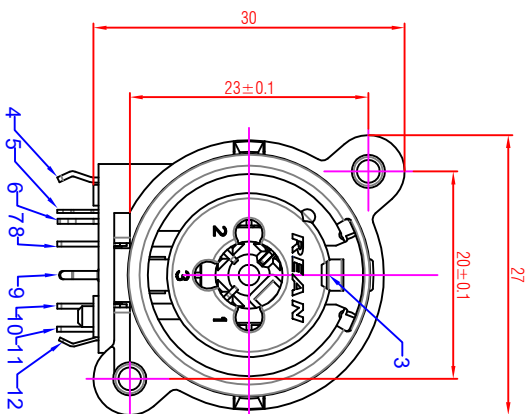
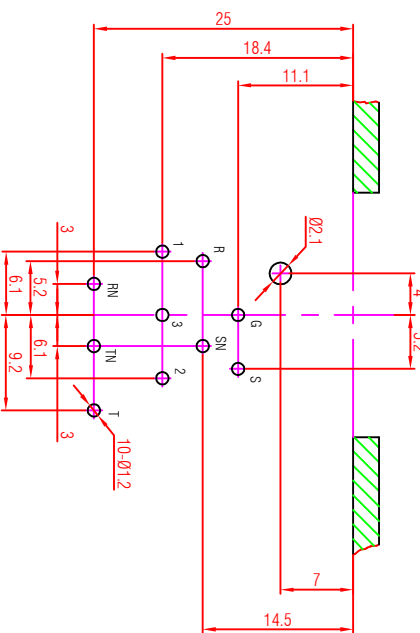


PANEL CUTOUT (FRONT SIDE)



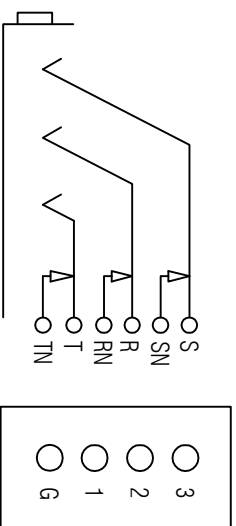
PCB LAYOUT (COMPONENT SIDE)



NORMALLING-SCHEMES

JACK - NORMALLING

XLR



13	CONTACT (3)	PHOSPHOR BRONZE, NI+Au+ Sn PLATED
12	CONTACT (1)	PHOSPHOR BRONZE, NI+Au+ Sn PLATED
11	CONTACT (R)	PHOSPHOR BRONZE, SILVER PLATED
10	CONTACT (RN)	PHOSPHOR BRONZE, SILVER PLATED
9	GROUND CONTACT (G)	PHOSPHOR BRONZE, SILVER PLATED
8	CONTACT (SN)	PHOSPHOR BRONZE, SILVER PLATED
7	CONTACT (TN)	PHOSPHOR BRONZE, SILVER PLATED
6	CONTACT (S)	PHOSPHOR BRONZE, SILVER PLATED
5	CONTACT (2)	PHOSPHOR BRONZE, NI+Au+ Sn PLATED
4	CONTACT (T)	PHOSPHOR BRONZE, SILVER PLATED
3	SPRING	STEEL, HEAT TREATMENT
2	COVER	PA6
1	HOUSING	PA6
NO	PART NAME	MATERIAL

THIS DOCUMENT IS THE PROPERTY OF RIEDELINK. NO PART THEREOF MAY BE REPRODUCED AND USED WITHOUT THE PRIOR WRITTEN CONSENT OF THE OWNER.

Material: Scale: 2 : 1 (A3)

Title: RCJ9FI-H-0

Replaces: 1

Rev.	Revision Details	Date	Name

Designer: 2014.10.28 Xia HP  
 Checked: 2014.10.28 Avraham  
 Approved:   
 Replaced By:   
 Date:   
 Name:   
 Drawing No:   
 1

