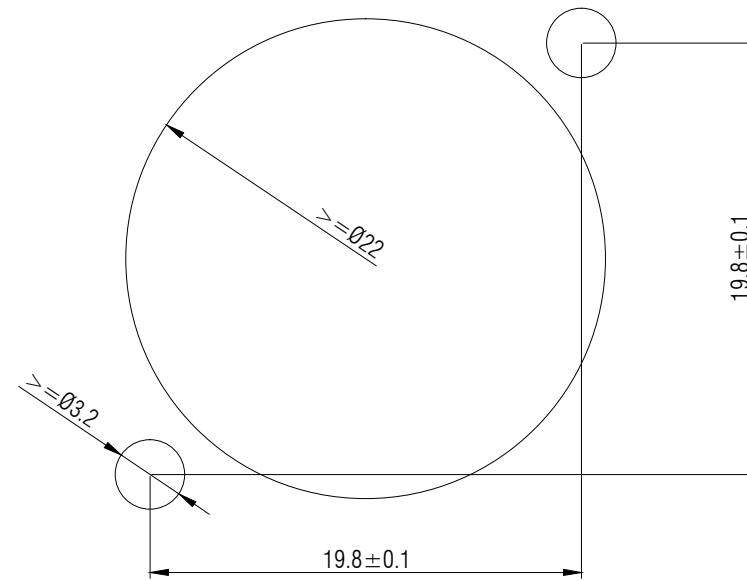
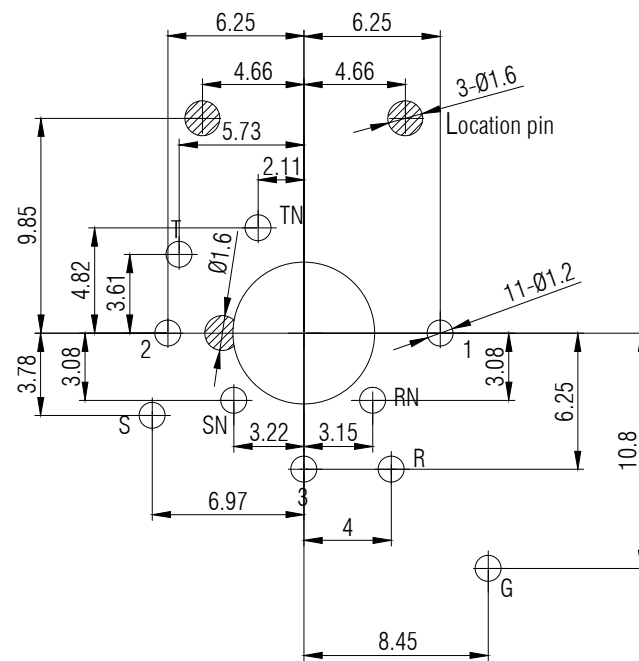


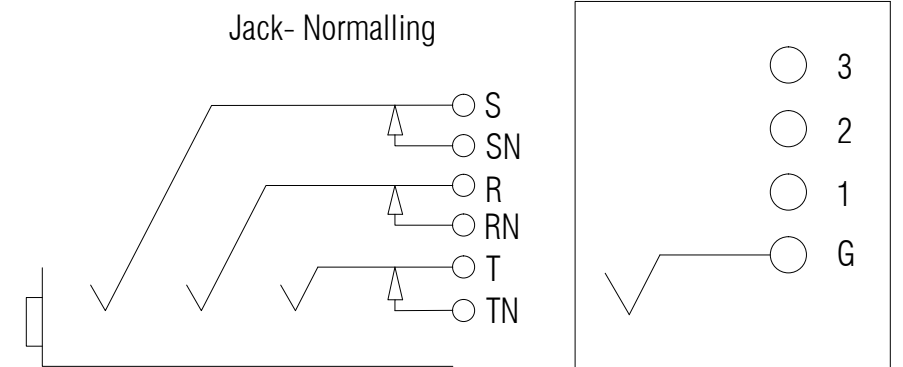
Panel cut out(Rear side)

PCB Layout(Component side)



Normalling-Schemes

XLR



Note:

1. All dimensions in mm.
2. Tolerances not specified is $\pm 0.20\text{mm}$.

THIS DOCUMENT IS THE PROPERTY OF NEUTRIK. NO PART THEREOF MAY BE REPRODUCED AND USED WITHOUT THE PRIOR WRITTEN CONSENT OF THE OWNER				Material:	Scale: 3 : 1 (A3)	Date:	Name:	
						Designer:	2020.01.04	Jacky
Title: RCJ9FA-V-0				REAN	Drawing No.:	Checked:	2020.01.04	Abraham
						Approved:	Replaced By:	
Rev.	Revision Details	Date	Name			Replaces:	1	
						3.664.040		