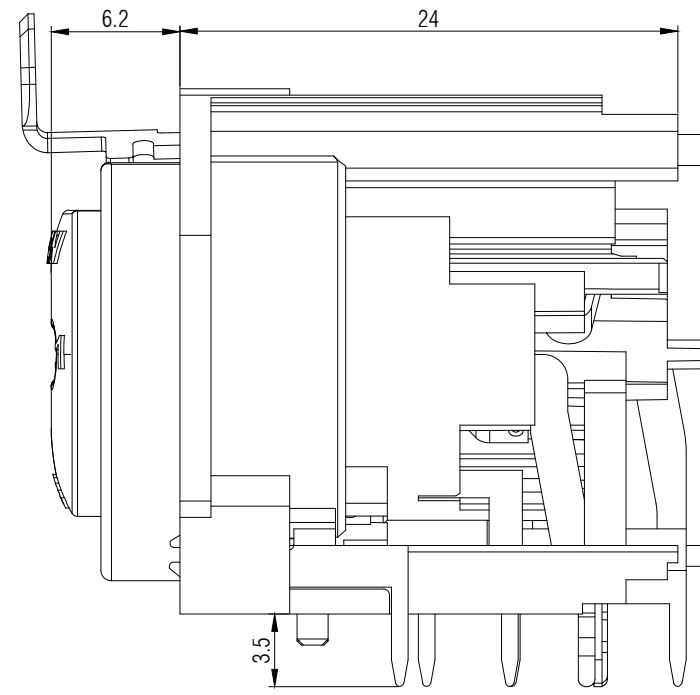
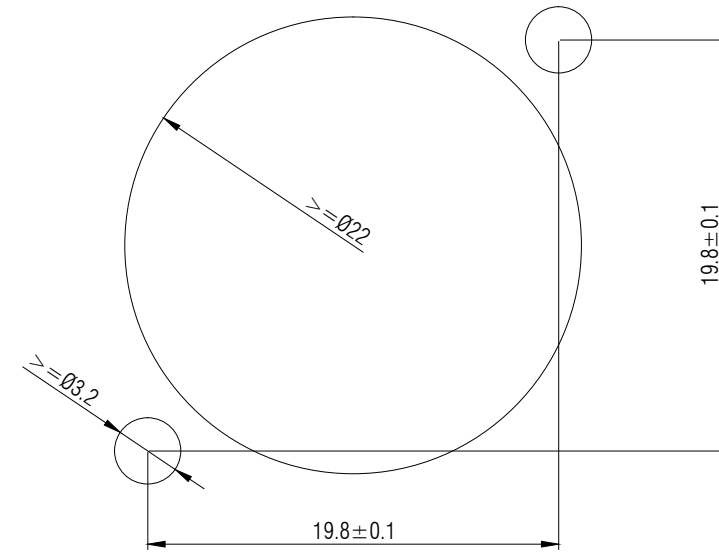
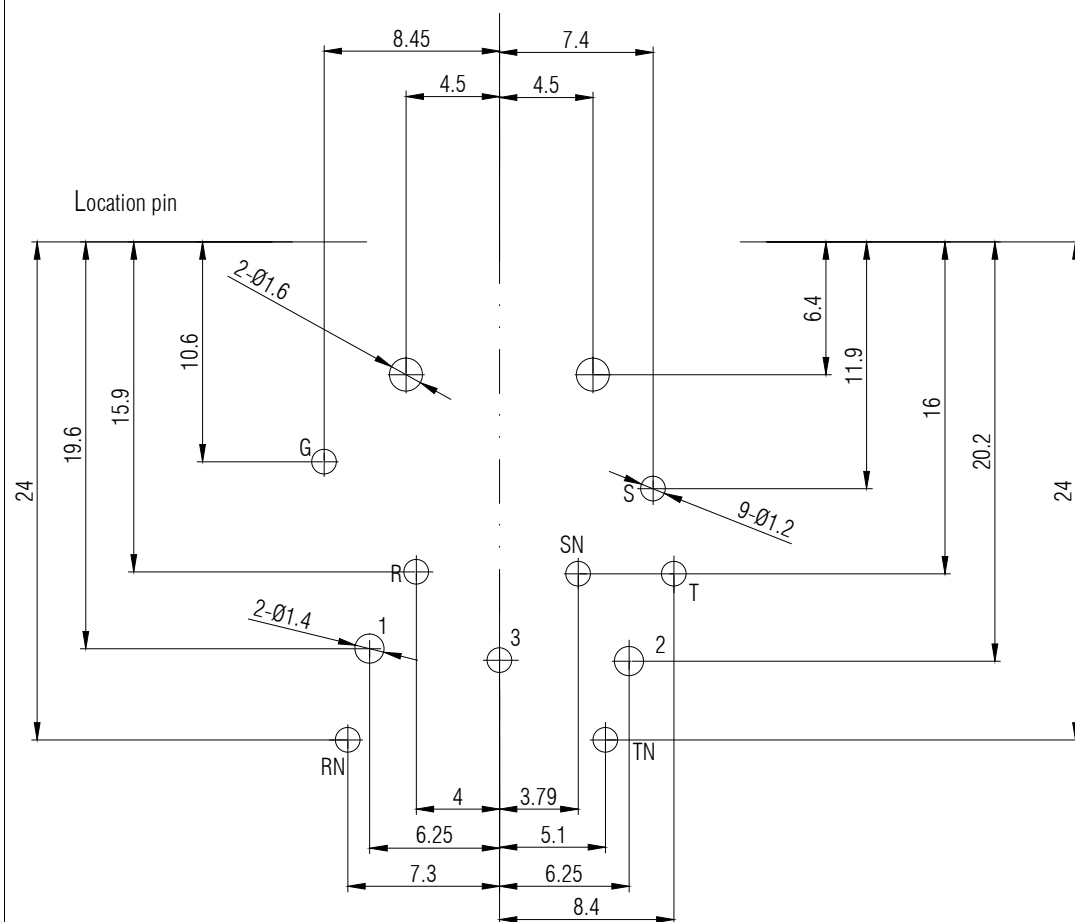
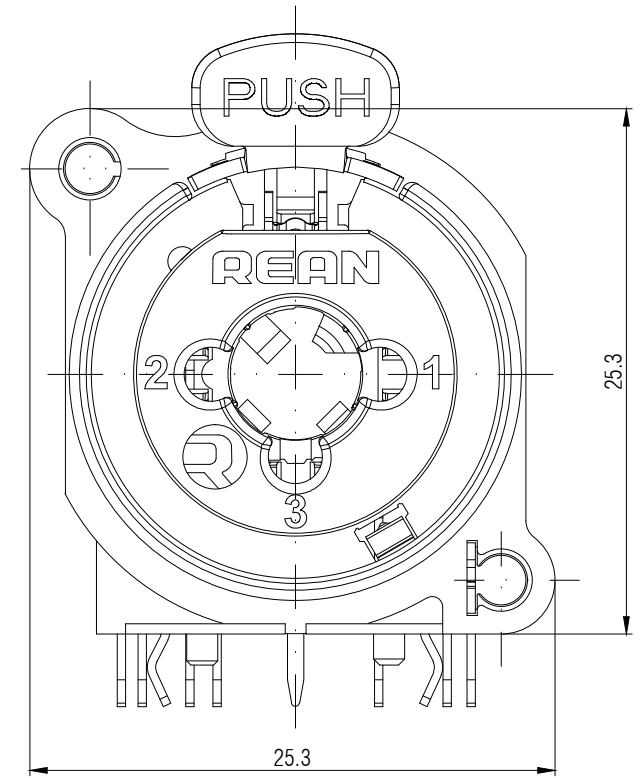


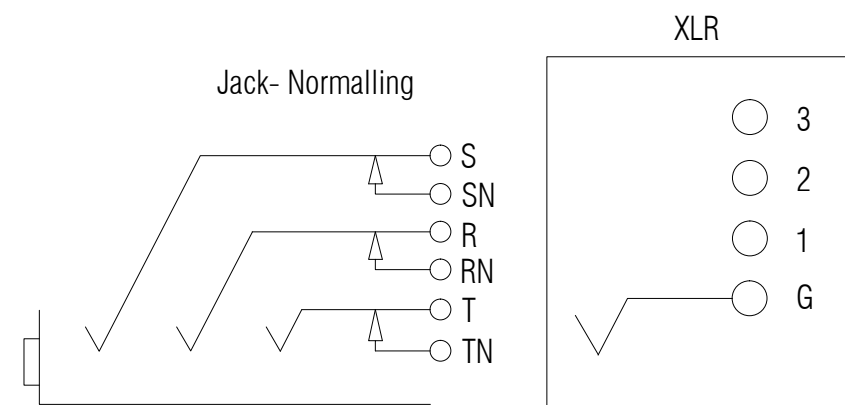
PCB Layout(Component side)



Panel cut out(Rear side)



Normalling-Schemes



Note:
 1. All dimensions in mm.
 2. Tolerances not specified is ±0.20mm.

THIS DOCUMENT IS THE PROPERTY OF NEUTRIK. NO PART THEREOF MAY BE REPRODUCED AND USED WITHOUT THE PRIOR WRITTEN CONSENT OF THE OWNER				Material:	Scale:	Date:	Name:
					3 : 1 (A3)	2020.01.08	Jacky
Title: RCJ9FA-H				Checked:		2020.01.08	Abraham
				Approved:		Replaced By:	
Rev.				Revision Details		Date	Name
				Drawing No.:		3.664.037	

REAN