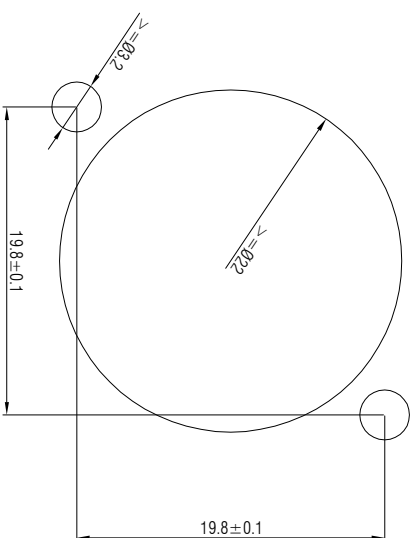
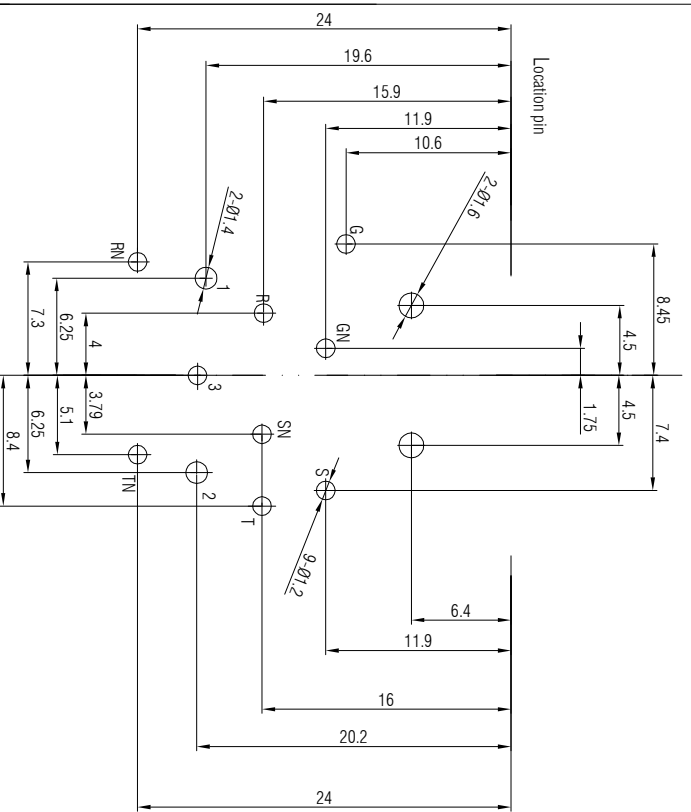


PCB Layout(Component side)

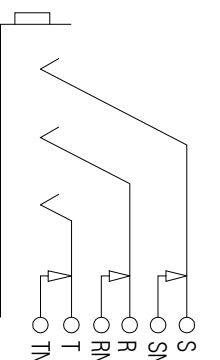
Panel cut out(Rear side)



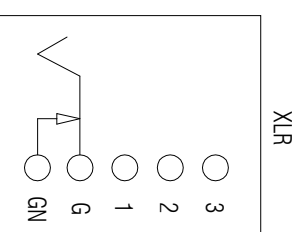
Note:

1. All dimensions in mm.
2. Tolerances not specified is $\pm 0.20\text{mm}$.

Jack- Normalling



Normalling-Schemes



XLR

THIS DOCUMENT IS THE PROPERTY OF NENTEK
NO PART THEREOF MAY BE REPRODUCED AND USED
WITHOUT THE PRIOR WRITTEN CONSENT OF THE
OWNER

Title: RCJ10FA-H

Scale: 3 : 1 (A3)

Date	Name
2020.01.04	Jacky
2020.01.04	Abraham

Replaces: 1

Rev.	Revision Details	Date	Name



Drawing No.: 3.664.041