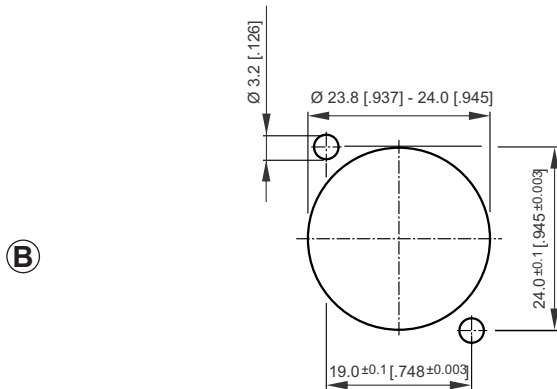
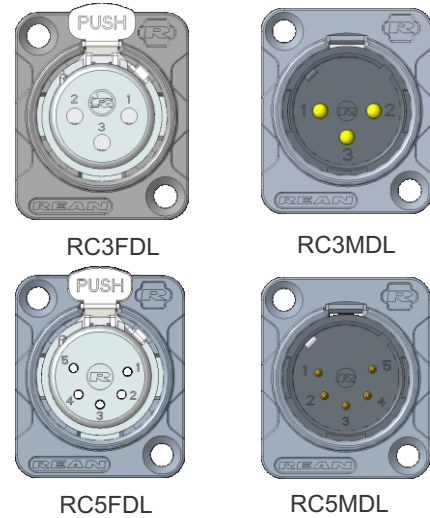
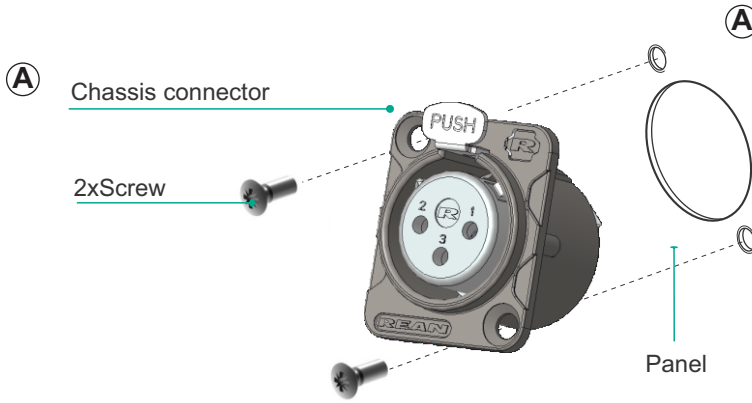


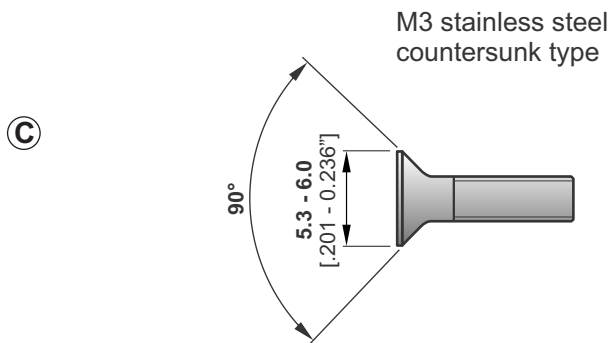


ASSEMBLY INSTRUCTION

RC*FDL/RC*MDL | XLR D-Series Chassis Connector



B Panel Cutout(Rear Side).



C Recommended srew.

XLR D-Series Chassis Connector:
Find more details on
www.rean-connectors.com



| | | | | | | | |
|------------------------|-------------|-----------------------|-----------------------|------------------------|----|----------------------|----------------------|
| Neutrik AG | LI | T: +423 / 237 24 24 | F: +423 / 232 53 93 | Neutrik France | FR | T: +33 1 / 4131 6750 | F: +33 1 / 4131 0511 |
| Neutrik USA Inc. | USA | T: +1 704 / 972 3050 | F: +1 704 / 438 9202 | Neutrik Tokyo Ltd. | JP | T: +81 3 / 3663 4733 | F: +81 3 / 3663 4796 |
| Neutrik (UK) Ltd. | UK | T: +44 1983 / 811 441 | F: +44 1983 / 811 439 | Neutrik Hong Kong Ltd. | HK | T: +852 / 2687 6055 | F: +852 / 2687 6052 |
| Neutrik Vertriebs GmbH | DE/NL/AT/DK | T: +49 8131 / 280 890 | F: +49 8131 / 280 830 | Neutrik Trading Ltd. | CN | T: +0574 / 8825 0833 | F: +0574 / 8826 5000 |

Draft. Nr.: NCN 007 | Update: 2021-03-12 | Data subject to change without prior notice. © 2021 REAN®. REAN® is registered trademark of Neutrik AG. ALL RIGHTS RESERVED.